



# SMART-JET® M-MAX HANDHELD

## Features:

- Complete range of coding capabilities and options, including:
  - Text
  - Counters
  - Box/Lot
  - Date and Time
  - Expiry Date
  - Julian Date
  - Shift Code
  - Logos, Graphics, and Images
  - Database Import
  - User Input Fields
  - Linear and 2D Bar Code Symbolologies, including UPC-12/EAN-13, GS1-128, GTIN-14, Code 39, Code 128, QR, Data Matrix, GS1 DataMatrix)
- Create messages using web-based software ([www.tijfreedesign.com](http://www.tijfreedesign.com)) for quick, easy download to printer
- Message design software enables free design; no limit on number of lines per message or vertical positioning
- Simple backup and restore procedure saves printer settings
- POD (Print Online Data) Print Command Protocol enables remote data import via USB Wi-Fi Connection
- Remote access via USB Wi-Fi connection
- External connections via USB 2.0 and USB Wi-Fi

## Operating System and Print Specifications:

- 5 in./127 mm LCD Capacitive Touchscreen
- Operating Languages: English, Spanish, Portuguese, German, French, Korean, Turkish, Polish, Hungarian, Chinese, and many more
- Printable Languages: English, Spanish, Portuguese, German, French, Korean, Turkish, Polish, Hungarian, Chinese, and many more
- Alphanumeric characters, logos, date/time, expiration date, shift codes, counters, bar codes, and variable data
- Import and print logos, graphics, and TrueType fonts
- Font height up to 1 in./25.4 mm
- Print up to 4.9 ft./1.5 m (max message length)
- Print speed up to 98 ft./30 m per minute at 300 x 300 dpi print resolution
- Up to 300 dpi x 600 dpi print resolution
- Built-in encoder to maintain proper character aspect
- Throw distance up to 0.2 in./5 mm
- Power Supply: Input, 100 - 240V; Output, DC 24V - 2.A (sold separately)
- Battery life up to eight (8) hours

## Accessories:

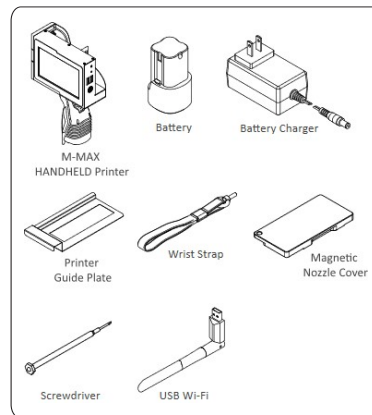
- Wrist Strap
- Guide Line
- Nozzle Cover
- Battery charger (16.8V - 1A) and battery
- USB Wi-Fi Adapter

## Inks

- Water-based and solvent-based inks, including colors and invisible, for printing on a variety of porous and non-porous substrates and materials

## Operating Temperature:

- Operating Environment: 50 °F/10 °C to 104 °F/40 °C
- 40% - 80% humidity, non-condensing



**M-MAX HANDHELD Printer  
and Included Accessories**

